

4

3

2

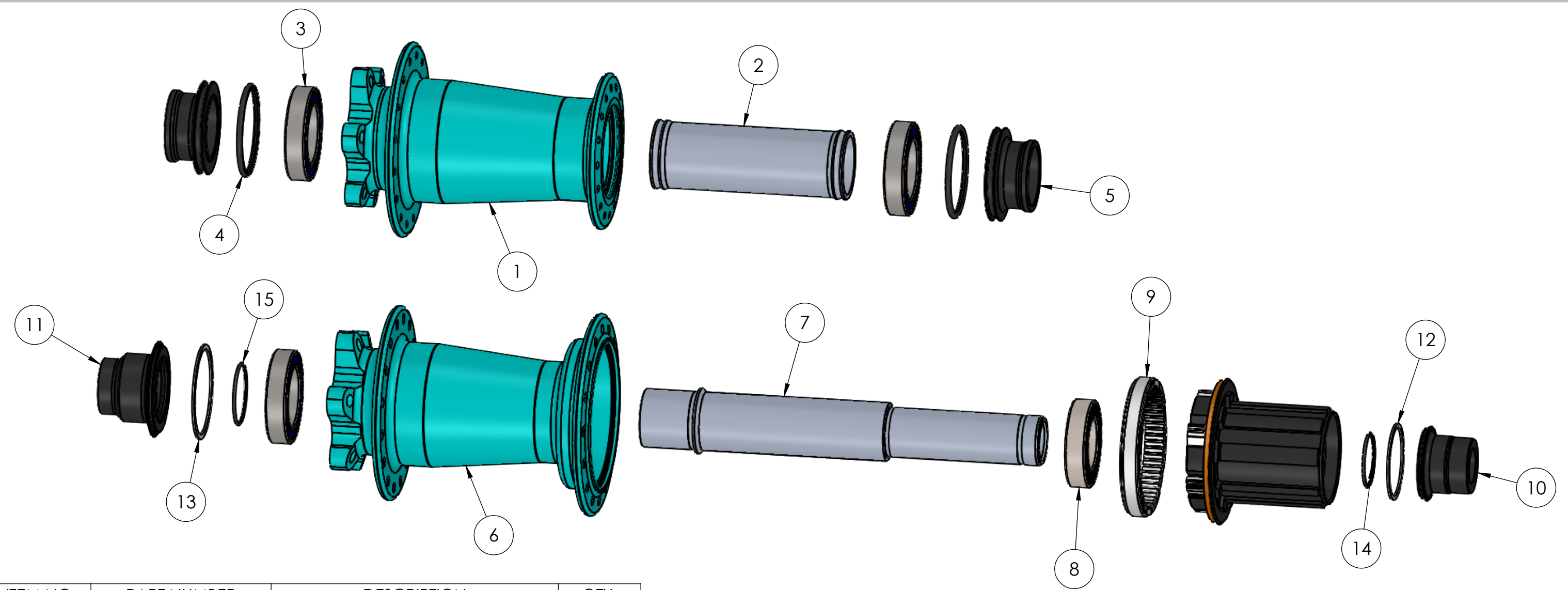
1

B

B

A

A



ITEM NO.	PART NUMBER	DESCRIPTION	QTY.
1	THU214 215	HUBSHELL, TORCH FR CLASSIC BOOST 110	1
2	TAX600	Axle, MNT FR Boost 110	1
3	BB61804	Ball Bearing, 20 x 32 x 7	3
4	TAXOR28	O-RING, 28 x 2	2
5	TAX628	Torch FR MNT 20mm EC	2
6	THU217_218	Torch Classic DH150 RR hub - Widened flanges	1
7	TAX604	Axle, RR DH150	1
8	BB61903	BALL BEARING, 17 x 30 x 7	1
9	TFH531	DRIVE RING, TORCH FH	1
10	TAX637	END CAP, Rear DRIVE	1
11	TAX638	Torch MNT RR End cap, Non-drive 12x142	1
12	TAX640	TEFLON SEAL, RR DRIVE E.C.	1
13	TAX641	TEFLON SEAL, RR NON-DRIVE E.C.	1
14	TAXOR17	17x1mm O-Ring	1
15	TAXOR20	20 X 1 O-Ring	1

PROPRIETARY AND CONFIDENTIAL
 THE INFORMATION CONTAINED IN THIS DRAWING IS THE SOLE PROPERTY OF INDUSTRYNINE COMPONENTRY. ANY REPRODUCTION IN PART OR AS A WHOLE WITHOUT THE WRITTEN PERMISSION OF INDUSTRYNINE COMPONENTRY IS PROHIBITED.

		UNLESS OTHERWISE SPECIFIED:	NAME	DATE	
		DIMENSIONS ARE IN INCHES TOLERANCES: FRACTIONAL ± 1/32 ANGULAR: ± 0.5 deg TWO PLACE DECIMAL ±0.01 THREE PLACE DECIMAL ±0.005	DRAWN		
		INTERPRET GEOMETRIC TOLERANCING PER:	CHECKED		SIZE DWG. NO. REV
		MATERIAL	ENG APPR.		SCALE: 1:4 WEIGHT: SHEET 1 OF 1
		FINISH	MFG APPR.		
NEXT ASSY	USED ON		Q.A.		
APPLICATION		DO NOT SCALE DRAWING	COMMENTS:		