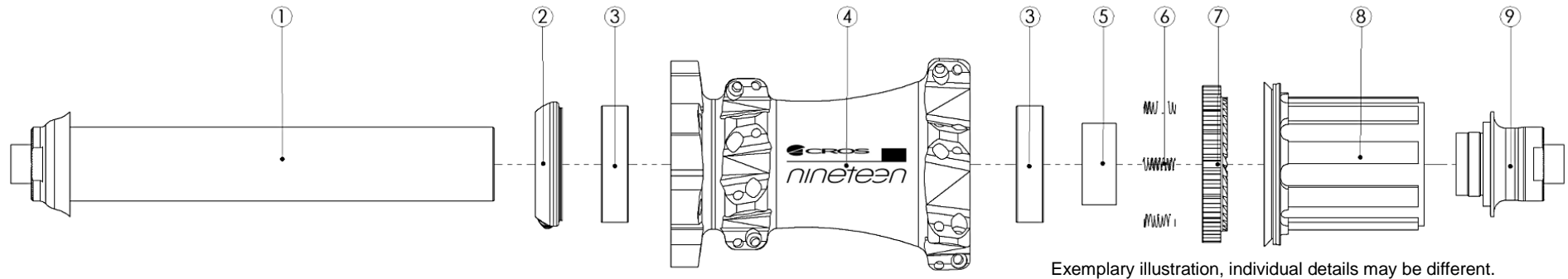


Assembly instructions Acros rear wheel hub (type 500, 510, 520)



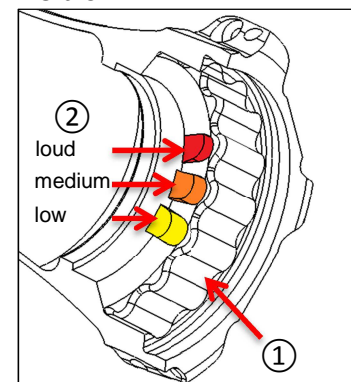
- | | | |
|---------------------------|------------|-----------------|
| 1 Axle with left end cap | 4 Hub body | 7 Tooth disc |
| 2 Adjustment system | 5 Spacer | 8 Freewheel |
| 3 Angular contact bearing | 6 Springs | 9 End cap right |

Assembly:

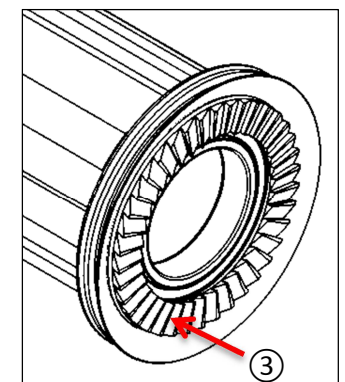
- Fill the 3 holes in the tooth disc (7) for the spring attachment with “smooth lube” and insert the springs (6)
- Cover the inner surface of the hub body, where the tooth disc gets positioned (detail 1), with “smooth lube” and make sure the grease is applied everywhere, but without any larger accumulations
- Position the tooth disc (7) in the hub body, mind to align it in that way so the springs fit into one of the 3 different places for the different volume levels (detail 2; loud, medium, low)
- Position the adjustment system (2) on the axle (1)
- Cover the axle (1) slightly with „smooth lube“ and insert it from non-drive-side into the hub (3+4)
- Slide the spacer (5) on the axle (1)
- Lubricate the freewheel teeth with 0,2-0,4g “smooth lube” (detail 3) and portion it all around
- Slide the freewheel (8) on the axle (1), therefore the spacer inside the freewheel has to be aligned centric to the axle
- Tighten right end cap (9) while holding up left end cap (1) with 2 open-end wrenches with width across flats (AF) 17mm (max. torque 3-5 nm)
- Adjust the axial hub play on the adjustment system (view instructions)

Disassembly:

- Loosen right end cap (9) while holding up left end cap (1) with 2 open-end wrenches with AF17
- Slide off the freewheel (8), tooth disc (7) and spacer (5) from the axle(1)
- Remove axle (1) and adjustment system (2) from hub (3+4)
- Loosen the screw from the adjustment system (2) until it gets visible



Detail 1+2 (cutaway)



Detail 3



General instructions

The highest permitted spoke tension for Acros hubs is 1200N.
The recommended torque of the end caps amounts 3-5 nm and is not to exceed.

Wrong assembly of components as well as using damaged hubs can be dangerous for life. Check the hub before every ride for good condition and proper function.

Not intended utilization, wrong assembly or wrong maintenance/cleaning may cause fatal malfunctioning and accidents. All parts of the bike must be compatible with the hub, only use unmodified original parts. Maintenance and assembly must be executed by practiced personnel, dealers or Acros employees. For maintenance use only appropriate cleaning and care products. Do not use aggressive cleaning supplies and high pressure cleaners which could damage internal hub components and seals.

For utilization in highly challenging terrain (e.g. downhill, all mountain) please use the hub volume levels loud or medium.

Maintenance tips:

Maintenance of the hub including visual and technical examination as well as cleaning and re-lubrication should be executed at least once a year. For lubrication of the hub use only "Acros smooth lube". When using the hub under desperate conditions (such as extreme temperatures, mud, rain, snow, dust...) or at functional problems (creaking, increased bearing resistance, loud/metallic freehub sound) maintenance interval must be shorter.

If you want to claim an occurring defect, please print the guarantee form under **www.acros.de**, fill in all information and send it with the corresponding product to:

ACROS Sport GmbH, Benzstr. 58, 71272 Renningen

Have fun with your ACROS product! Ride with us, your ACROS team

Warranty terms

Next to the implied warranty the Acros Sport company grants a guarantee on material and production mistakes for 24 months. Defect products get repaired or replaced if a fault by the user is excluded after the judgement of Acros Sport company.

Warranty services are excluded in the following cases:

- Wear as a consequence of using the product
- Usage with non-compatible products
- Not recommended usage/handling by carelessness, missusage or neglect with the product
- Faults at maintenance, cleaning or repairing
- Warranty claims through transport damages are to submit at the responsible company/institution

The Acros Sport company guarantees no repairing/replacement services which are necessary because of the failure of Acros products. To this belong damages caused by accident through malfunctions of the product as well as damages reducible on the product.